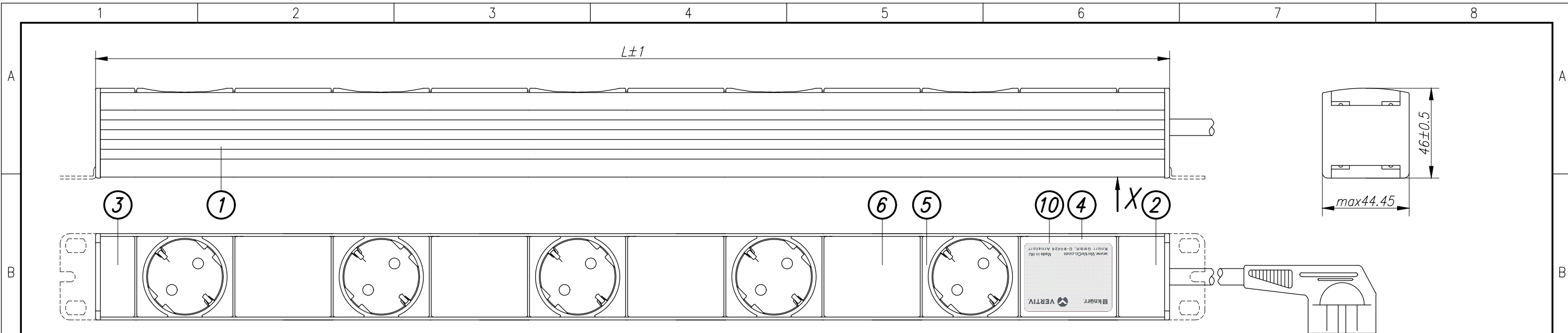
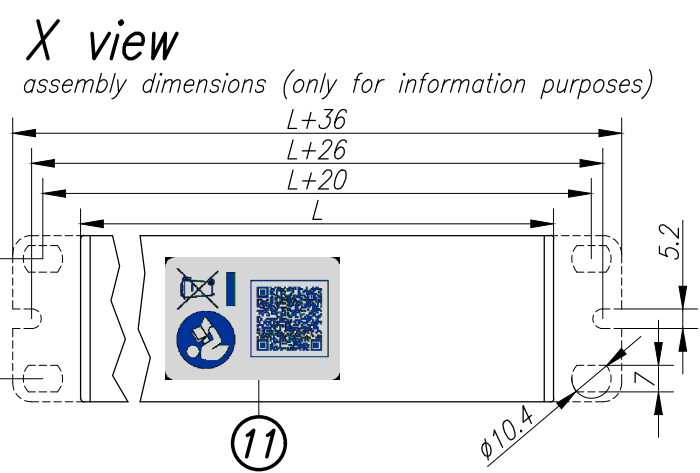
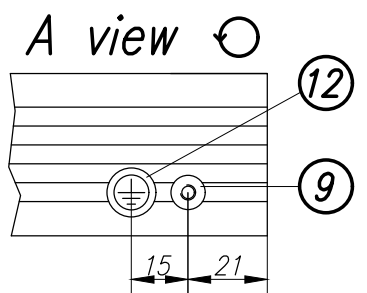
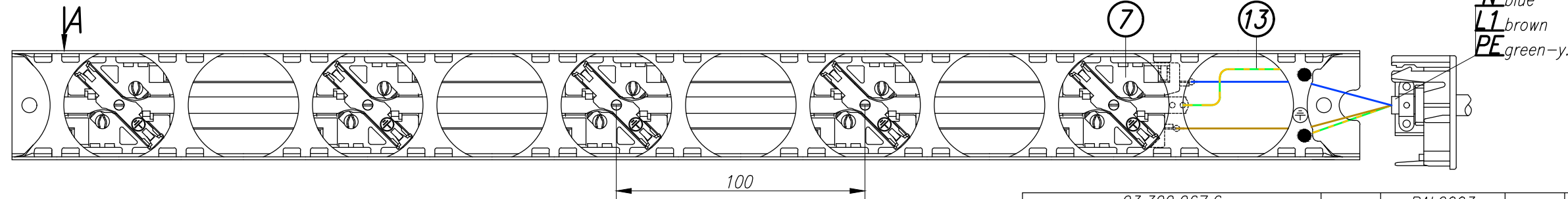


Disclosure and photocopying of this document, exploitation and communication of its contents are not permitted, unless permission is expressly granted. All rights are reserved.

Weitergabe sowie Vervielfältigung dieser Unterlage, Verwertung und Mitteilung ihres Inhalts nicht gestattet, soweit nicht ausdrücklich zugestanden. Alle Rechte vorbehalten.



Internal wiring scheme, inlets and outlets shown frontside down



Type selection

Drawing no. / Description	L (mm)	Color of chassis	No. of sockets	Gross weight (kg)	Net weight (kg)	External dimensions of packing box (mm)
03.300.067.6 DIS-EEV CEE7/7-16A 17P CL	1747	RAL2003 pastel orange	17	2,74	2,43	1770x65x90
03.300.067.1 DIS-EEV CEE7/7-16A 17P CL	1747	RAL7035 light grey	17	2,74	2,43	1770x65x90
03.300.063.1 DIS-EEV CEE7/7-16A 13 CL	1347	RAL7035 light grey	13	2,28	1,96	1380x65x90
03.300.059.6 DIS-EEV CEE7/7-16A 9P CL	947	RAL2003 pastel orange	9	1,7	1,47	985x60x75
03.300.059.1 DIS-EEV CEE7/7-16A 9P CL	947	RAL7035 light grey	9	1,7	1,47	985x60x75
03.300.055.6 DIS-EEV CEE7/7-16A 5P CL	547	RAL2003 pastel orange	5	1,15	0,97	580x60x75
03.300.055.1 DIS-EEV CEE7/7-16A 5P CL	547	RAL7035 light grey	5	1,15	0,97	580x60x75

Example of label:



Technical data:
 - DIN 49440 SCHUKO socket 16A
 socket spacing 100mm, torsion of sockets 45°
 - Operating temperature: 0 ... +50 °C

13	1	ST	Vezeték zöld-sárga 1,5mm ²	Electric cord green-yellow	3.768.2634	L=100(EO-EO)
----	---	----	---------------------------------------	----------------------------	------------	--------------

A belső vezetékvezés komponensei. / Components of internal wiring.

<p>Load rating: 100-240 Vac, 50-60 Hz Input: 1x 16 A Output: 16 A</p>	<p>Approvals/certificates: - CE marking according to: LVD (low voltage directive), RoHS (restriction of hazardous substances) - BV-BG certification (factory inspected) - VDE-GS certification (factory inspected)</p>	<p>Power cord: Type: H05VV-F 3x1,5mm, white Length: 2,5m Plug: CEE VII/7, DIN49441 Form2</p>	<p>General tolerances ISO 2768-m</p>	<p>Finish Date: 26.11.2007 Name: Kovács</p>	<p>Material Description DIS-EEV CEE7/7-16A CL</p>	<p>Sheet 1/1</p>
<p>Material/Finish: Chassis: closed sheet steel extrusion, zincplated, powder-coated texture Plastic parts: Vampamid 6 0024 VO (UL94) or similar, recyclable Internal conduction: brass conductor rails and copper wires Internal copper wires: H07V-K 1,5mm?</p>	<p>Packaging: Packing box (csomagolódoboz) Supply schedule: Socket strip (1 piece) Mounting bracket (2 pieces) 3.768.2608 User manual (1 piece) 03.300.999.1</p>	<p>Dimensions in mm</p>	<p>Drawn: 26.11.2007 Checked: 26.11.2007 Approved:</p>	<p>Name: Szabó</p>	<p>Drawing no. 03.300.055.X-067.X</p>	<p>Scale</p>
<p>Color: Chassis: Plastic parts: RAL7035 light grey</p>	<p>Rev. Change Date Name</p>	<p>Knürr GmbH Mariakirchener Straße 38 D-94424 Arnstorf Tel: +49 (0) 87 23-27-0</p>	<p>Gross weight kg Net weight kg External dimensions of packing box mm</p>	<p>File:</p>	<p>Platine:</p>	