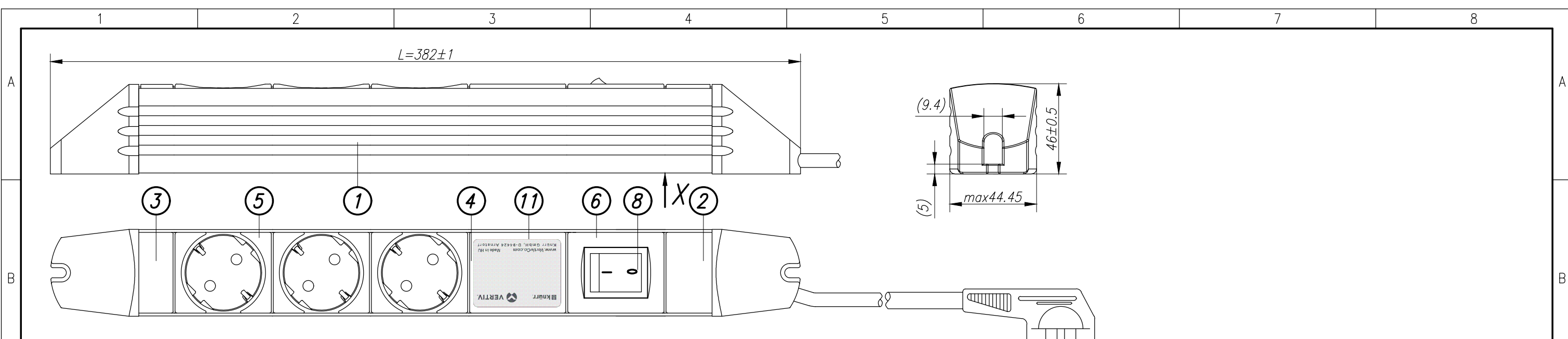
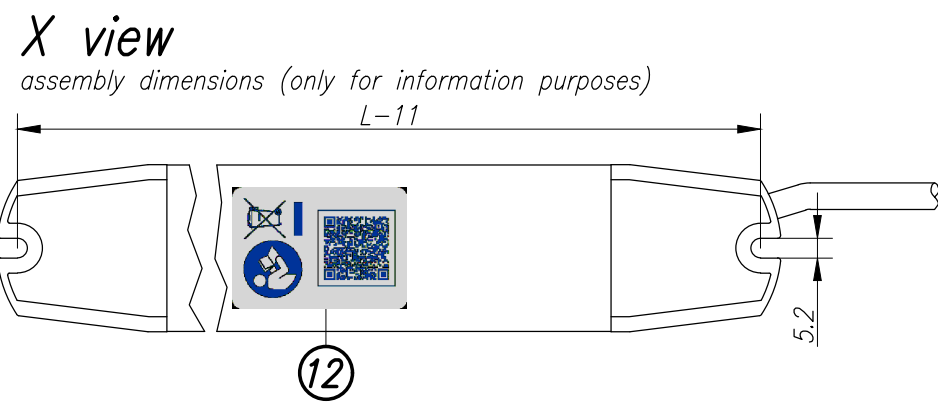
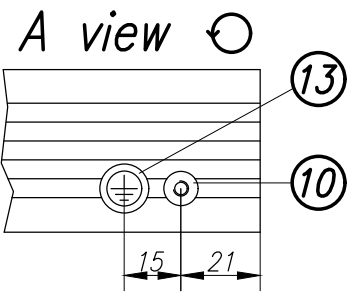
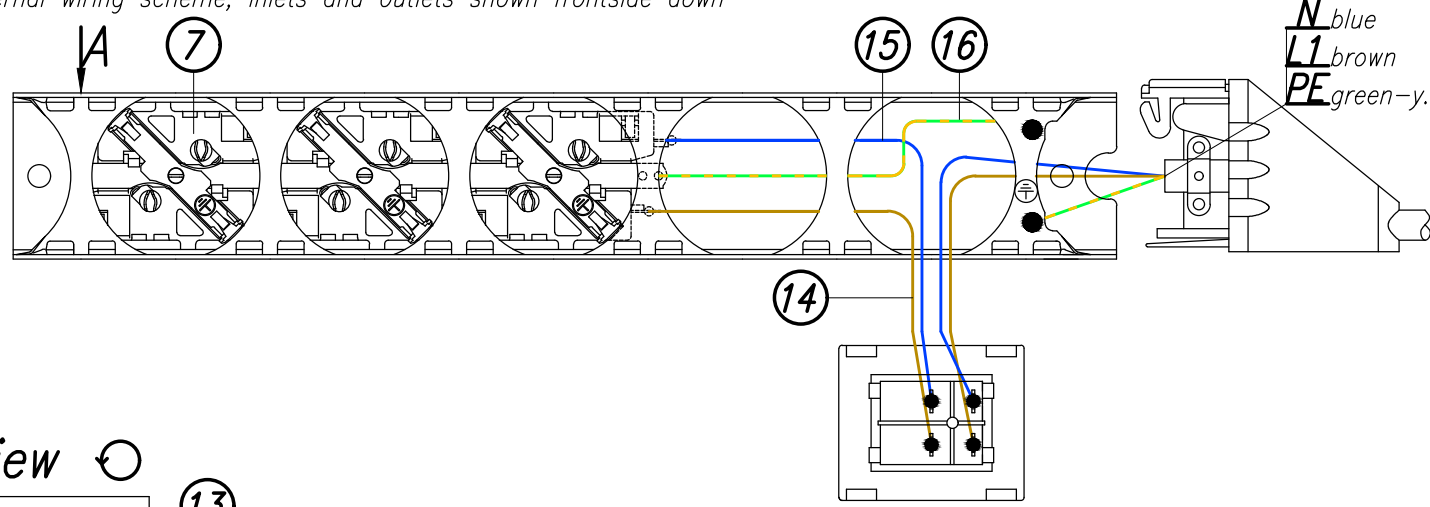


Disclosure and photocopying of this document, exploitation and communication of its contents are not permitted, unless permission is expressly granted. All rights are reserved.



Internal wiring scheme, inlets and outlets shown frontside down



**knürr** **VERTIV**  
**DI-STRIP COMPACT**  
 100-240 Vac, 50-60 Hz max. 16A  
 03.302.103.1 YY/MM XXXXXX  
 www.VertivCo.com Made in HU  
 Knürr GmbH, D-94424 Arnstorf

**Technical data:**  
 - 3x DIN 49440 SCHUKO socket 16A  
 socket spacing 50mm, torsion of sockets 45°  
 - with lit switch, 2-pole switching  
 - Operating temperature: 0 ... +50 °C

14	1	ST	Vezeték barna 1,5mm <sup>2</sup>	Electric cord brown	3.768.4221	L=100(EO-EO)
15	1	ST	Vezeték kék 1,5mm <sup>2</sup>	Electric cord blue	3.768.2767	L=100(EO-EO)
16	1	ST	Vezeték zöld-sárga 1,5mm <sup>2</sup>	Electric cord green-yellow	3.768.2670	L=160(EO-EO)

A belső vezetékvezés komponensei. / Components of internal wiring.

<b>Load rating:</b> 100-240 Vac, 50-60 Hz Input: 1x 16 A Output: 16 A	<b>Approvals/certificates:</b> - CE marking according to: LVD (low voltage directive), RoHS (restriction of hazardous substances) - BV-BG certification (factory inspected) - VDE-GS certification (factory inspected)	<b>Power cord:</b> Type: H05VV-F 3x1,5mm <sup>2</sup> , white Length: 2,5m Plug: CEE VII/7, DIN49441 Form2		General tolerances	Finish	Material	Sheet
				ISO 2768-m			1/1
<b>Material/Finish:</b> Chassis: closed sheet steel extrusion, zincplated, powder-coated texture Plastic parts: Vampamid 6 0024 VO (UL94) or similar, recyclable Internal conduction: brass conductor rails and copper wires Internal copper wires: H07V-K 1,5mm <sup>2</sup> <b>Color:</b> Chassis: RAL7035 light grey Plastic parts: RAL7035 light grey	<b>Packaging:</b> Packing box (csomagolódoboz) Supply schedule: Socket strip (1 piece) User manual (1 piece) 03.300.999.1	Drawn 04.03.2013 Kovács Checked 04.03.2013 Szabó Approved	Date Name 13.07.17 Gali	Description			
				<b>DIS-EEV CEE7/7-16A 3P SW</b>			
<b>knürr</b>				Drawing no.		Scale	
Knürr GmbH Mariakirchener Straße 38 D-94424 Arnstorf Tel: +49 (0) 87 23-27-0				Gross weight	Net weight	External dimensions of packing box	
Platine: File:				0,85 kg	0,7 kg	480x60x80 mm	

Weitergabe sowie Vervielfältigung dieser Unterlage, Verwertung und Mitteilung ihres Inhalts nicht gestattet, soweit nicht ausdrücklich zugestanden. Alle Rechte vorbehalten.